



# P20MR / P30MR

## ELECTRO-HYDRAULIC PRESS

### AUTOMATIC DOUBLE-SPEED WITH FAST APPROACH

20 / 30 tons

Heavy-duty electro-hydraulic press, **entirely laser-cut**. Extra- solid structure without welded points in frontal frame.

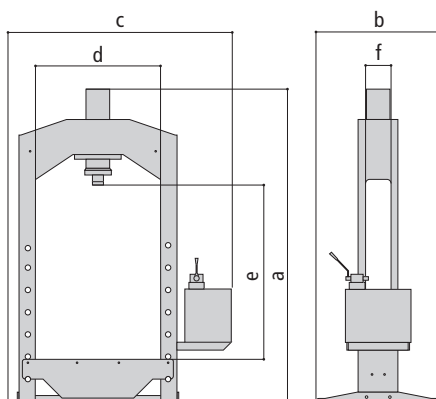
Power unit with submerged motor **400V 50-60 Hz**, automatic double-speed pump calibrated at **20 Bar** (from fast approach to working speed) and a pump to adjust pressure through a knob. Fitted with a safety valve that prevents machine overpressure.

A manometer mounted on the distributor indicates working pressure.

Optional available on request: **V blocks, plates, electric speed control device, perimeter protection and limit switch.**



Technical data			
	UM	P20MR	P30MR
Max capacity	[tons]	20	30
Approaching speed	[mm/min]	1800	1700
Working speed	[mm/min]	450	300
Max capacity in fast mode	[l/min]	10	14
Max capacity in slow mode	[l/min]	2.5	2.5
Cylinder stroke	[mm]	300	300
Cylinder bore center	[mm]	85	105
Stem diameter	[mm]	45	60
Shank diameter	[mm]	M14	M30
Tank capacity	[litri]	30	30
Max pressure	[bar]	350	350
Tension	[V]	400	400
Frequency	[Hz]	50-60	50-60
Motor power	[kW]	1.5	1.5
Max power adsorption	[A]	3.8	3.8
Weight	[kg]	200	260



Dimensions						
	a	b	c	d	e	f
P20MR	1850	590	1200	510	1050	80
P30MR	1960	700	1350	700	1120	130

