

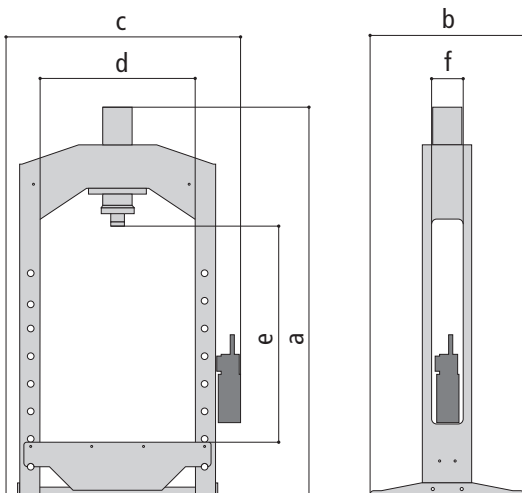


12 / 20 tons

## P12B / P12 / P12P / P20 / P20P MANUAL HYDRAULIC PRESS, FLOOR MOUNTED AND WITH PNEUMATIC FOOT PUMP

**P12** press comes in three versions: on stand (**P12B**) floor mounted (**P12**) with pneumatic foot pump (**P12P**). **P20** press comes in two versions: floor mounted (**P20**) with pneumatic foot pump (**P20P**).

Heavy duty, **entirely laser-cut**. Equipped with a double-speed pump: fast mode for low pressure and slow mode for high pressure. Cylinder is fitted with a spring return device and a pressure gauge.



Technical data						
	UM	P12B	P12	P12P	P20	P20P
Max capacity	[tons]	12	12	12	20	20
Weight	[kg]	90	100	100	110	110
Max pressure	[bar]	400	400	400	400	400
Speed in fast mode	[l/min]	3,2	3,2	3,2	3,2	3,2
Speed in slow mode	[l/min]	0.28	0.28	0.28	0.28	0.28
Cylinder stroke	[mm]	190	190	190	190	190

Dimensions						
	a	b	c	d	e	f
P12B	1240	530	800	510	400	80
P12	1860	530	800	510	1020	80
P12P	1860	530	740	510	1020	80
P20	1890	590	910	510	1040	80
P20P	1890	590	860	510	1040	80